

# Comfort First Products

18277 Pasadena Street Suite B-102 • Lake Elsinore, CA 92530 • Phone: 714.550.4971 • Fax: 714.550.4973  
Email: Sales@ComfortFirstProducts.com • Website: [www.comfortfirstproducts.com](http://www.comfortfirstproducts.com)

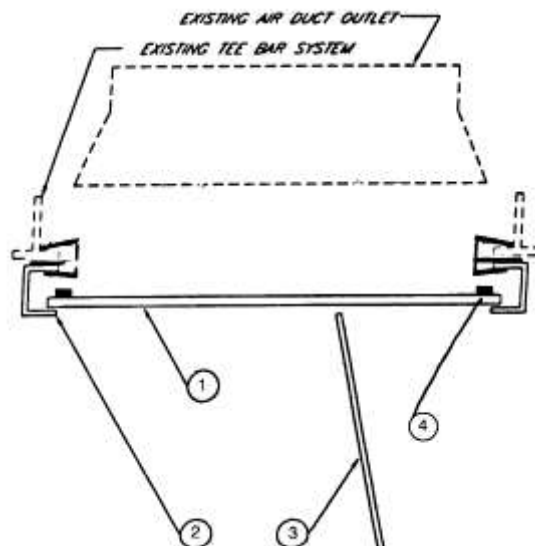
## Control-A-Flow®

### Draft Eliminator

#### For Ceiling Grid with 48" Linear Diffusers

### Installation Instructions

1. Use a stable ladder to stand on for the simple installation.
2. While holding the rail at an angle next to the T-Bar, fit the corner of the clip onto the
3. T-bar lip on the inside portion of the T-bar. Next, push the rest of the clip and rail onto the T-bar. Repeat for the second rail. Make sure the rails are parallel and the ends match up.
4. After you have installed both rails, measure the distance between the rails on the most inside portion. Using a utility knife cut the panels' length wise to the appropriate width. You will end up with a panel 24 inches long and the width between the two inside portions of the rails. (See diagram below)
5. Insert one end of a deflector panel into the rail slot resting on the bottom lip. Push this panel to the opposite side and slide in the second panel.
6. By using the "Adjusting Wand" you can now safely adjust your Control-A-Flow® panels and rail cover plates to create air flow in 2, 3, 4 or 5 directions, while safely standing on the floor.



#### Parts List

- |    |  |
|----|--|
| 1) | 2 each translucent panels – 12" x 24.25" (cut to width needed) |
| 2) | 2 each 32" rails with clips and cover plates attached          |
| 3) | 1 each "Adjusting Wand"  |
| 4) | Set of 4 stop pads   |
| 5) | Rail Color – Soft White  |