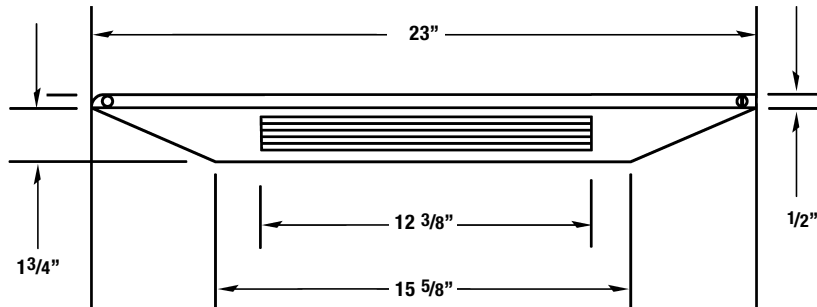
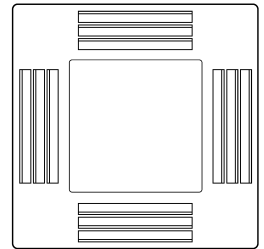


Comfort First Filtered Diffuser Steel • Electrostatic Filters

Model: CFFD 77500 • Supply • Adjustable Discharge



LEED Friendly

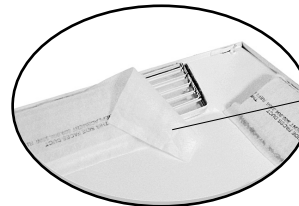


Member

Vertical dimensions are plus or minus 1/4" and horizontal dimensions are plus or minus 1/16"



Aesthetically pleasing, streamlined and low profile
Only 1 3/4" inches below ceiling



Easy-to-replace
0.3 micron
electrostatic filter



Optional backpan



Download Performance Data and Submittal forms at: www.comfortfirst.us

Features:

- Improves indoor Air Quality by capturing airborne contaminants before they enter room
- 4-Way adjustable flow pattern
- Eliminates cold air drafts
- Reduces energy costs
- Filters last 6 – 8 months on average
- Attaches to most perforated diffuser backpans
- Hinges open for easy filter replacement
- 0.3 micron electrostatic filter
- White powder coated epoxy finish

Comfort First Filtered Diffuser™ 24" x 24" Lay-in

For use in conjunction with an existing or new steel backpan. New backpans available with 6", 8", 10", 12" or 14" necks.

The **CFFD** may qualify for up to **3 LEED points:**

- One for energy savings
- One for IAQ
- One for indoor comfort